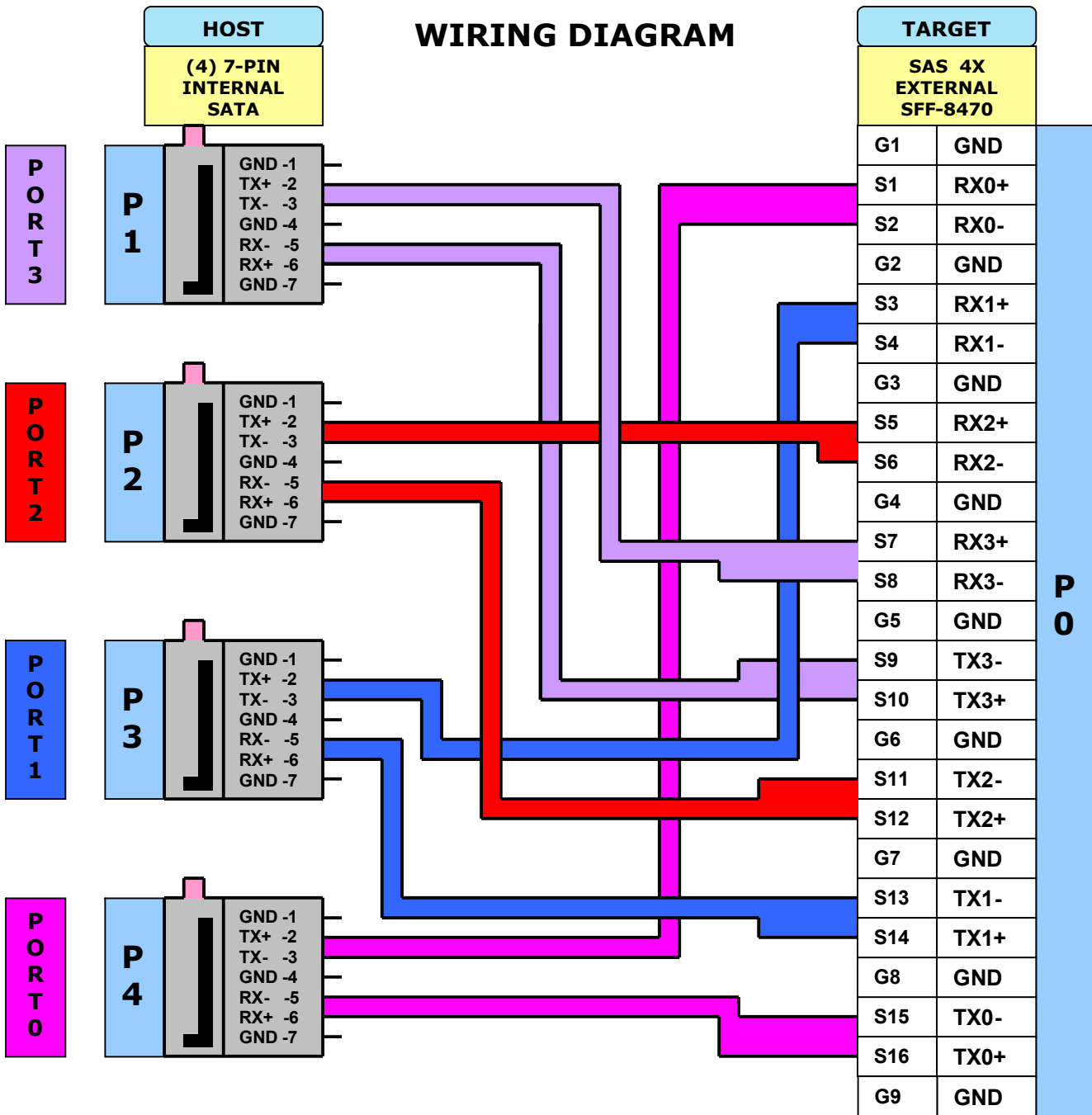


REV	Date:	Revision	ECO
A	11/01/06	Released	N/A

WIRING DIAGRAM



Notes:



Description: Cable, Host Based (4) 7-Pin SATA, TO Target Based SAS External 4X (SATA to SFF-8470)

.xx=±0.13mm
.x =± 0.25mm

Drawing No.
SAS -7P70/xm

Sheet No.
2 of 2

Rev.
A