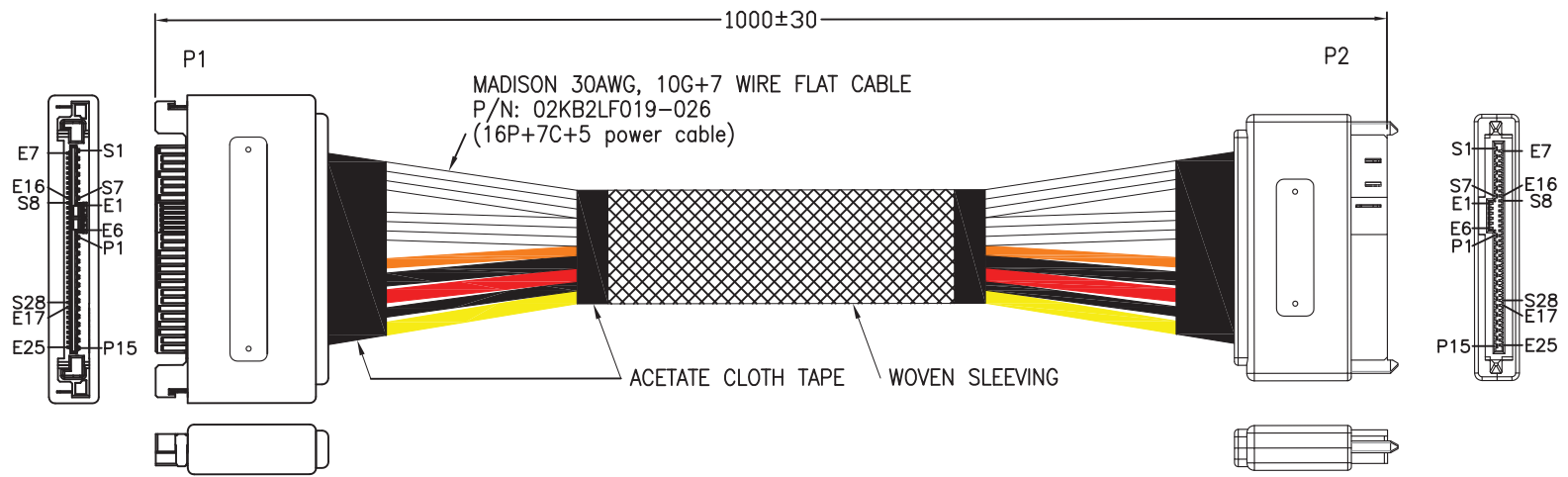


1	2	3	4	5	6	7	8	9	
REV.	REMARK					DATE	SIGN.		

RoHS



MATERIAL RoHS COMPLIANT:

1.CABLE:
 CONDUCTOR: 30AWG SOLID SILVER PLATED COPPER.
 INSULATION: FOAM POLYOLEFIN.
 PAIR: 2 SINGLES LAID FLAT AND PARALLEL.
 PAIR DRAIN WIRE: 30AWG SOLID TIN PLATED COPPER.
 PAIR SHIELD: ALUMINUM/POLYESTER TAPE.
 ALUMINUM SIDE FACING IN, 25% OVERLAP.
 DIFFERENTIAL IMPEDANCE: 100±5 OHMS @TDR
 UL RECOGNIZED: AWM STYLE 21490 80°C 30 VOLTS.

2.CONNECTOR:
 P1: SFF-8639 68P PLUG CONNECTOR
 (1) P.C.B: 4 LAYERS, GOLD PLATING ON CONTACT PADS
 (2) HOUSING: PVC, BLACK.
 (3) WITHOUT EARS AND SCREWS.
 P2: SFF-8639 68P REC. CONNECTOR
 (1) P.C.B: 4 LAYERS, GOLD PLATING ON CONTACT PADS
 (2) HOUSING: ABS, BLACK.
 (3) WITHOUT EARS AND SCREWS.

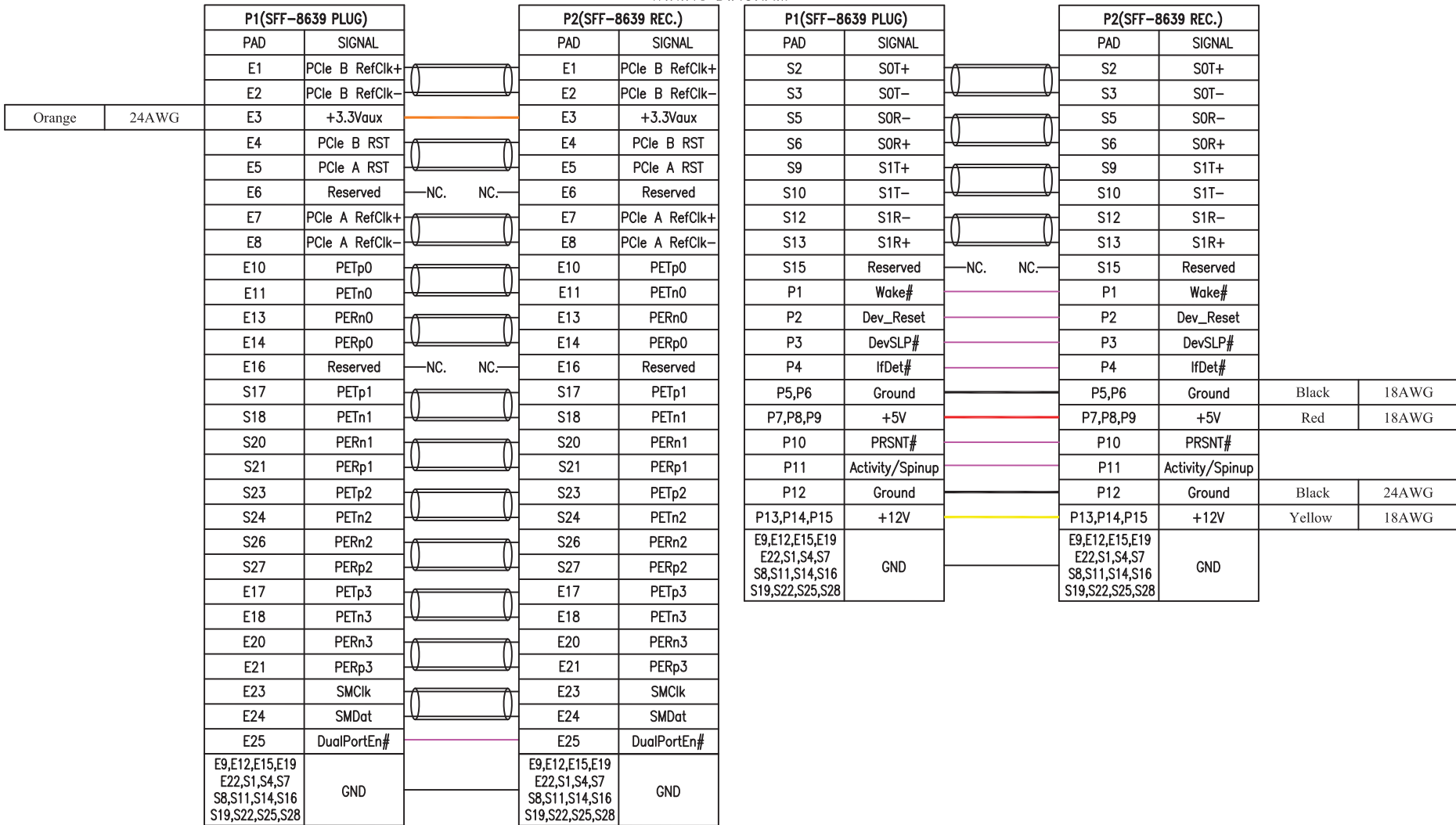
3.POWER CABLE:
 (1) UL 1007 18AWG*3 80°C 300V
 (2) UL 1007 24AWG*2 80°C 300V

CS ELECTRONICS

DESC.	SFF-8639 PLUG TO SFF-8639 REC. CABLE ASS'Y	APPROVED	CHECKED	DESIGNED	TOLERANCE	SCALE	*	UNIT	mm	
P/N	PCle-8639M-F/1M					DATE	12/13/'17	DWG NO:		

REV.	REMARK	DATE	SIGN.
------	--------	------	-------

WIRING DIAGRAM



CS ELECTRONICS

DESC.	SFF-8639 PLUG TO SFF-8639 REC. CABLE ASS'Y	APPROVED	CHECKED	DESIGNED	TOLERANCE	SCALE	*	UNIT	mm	
P/N	PCle-8639M-F/1M					DATE	12/13/'17	DWG NO:		