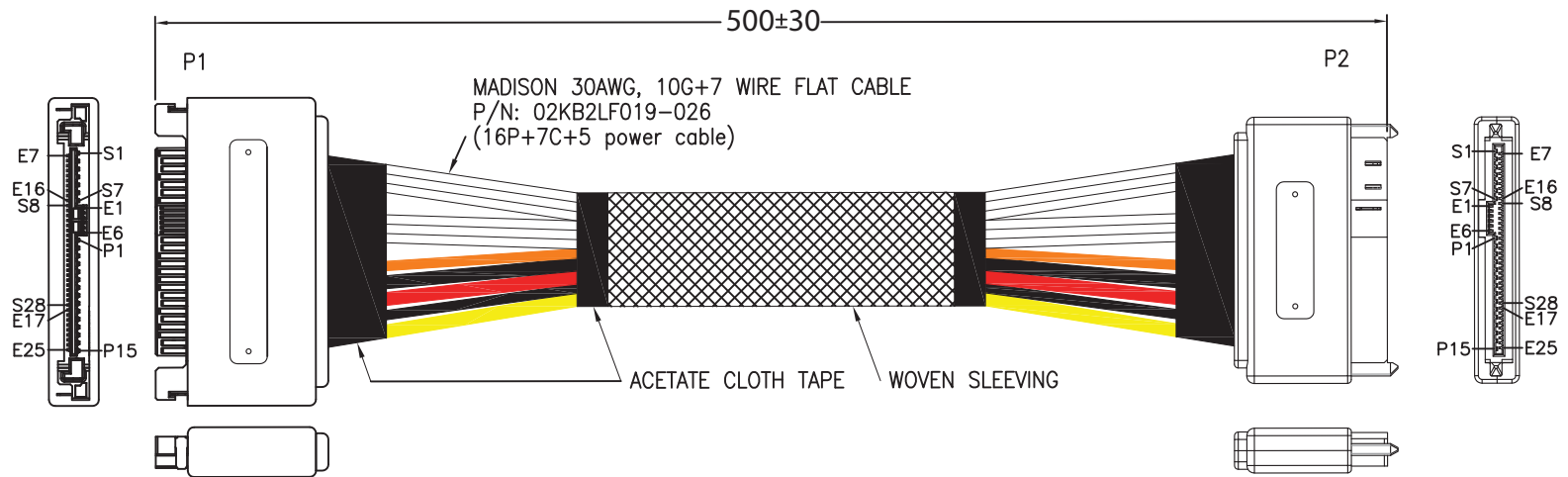


1	2	3	4	5	6	7	8	9
REV.	REMARK				DATE	SIGN.		

RoHS



**MATERIAL RoHS COMPLIANT:**

**1.CABLE:**

CONDUCTOR: 30AWG SOLID SILVER PLATED COPPER.  
 INSULATION: FOAM POLYOLEFIN.  
 PAIR: 2 SINGLES LAID FLAT AND PARALLEL.  
 PAIR DRAIN WIRE: 30AWG SOLID TIN PLATED COPPER.  
 PAIR SHIELD: ALUMINUM/POLYESTER TAPE.  
 ALUMINUM SIDE FACING IN, 25% OVERLAP.  
 DIFFERENTIAL IMPEDANCE: 100±5 OHMS @TDR  
 UL RECOGNIZED: AWM STYLE 21490 80°C 30 VOLTS.

**2.CONNECTOR:**

P1: SFF-8639 68P PLUG CONNECTOR  
 (1) P.C.B: 4 LAYERS, GOLD PLATING ON CONTACT PADS  
 (2) HOUSING: PVC, BLACK.  
 (3) WITHOUT EARS AND SCREWS.  
 P2: SFF-8639 68P REC. CONNECTOR  
 (1) P.C.B: 4 LAYERS, GOLD PLATING ON CONTACT PADS  
 (2) HOUSING: ABS, BLACK.  
 (3) WITHOUT EARS AND SCREWS.

**3.POWER CABLE:**

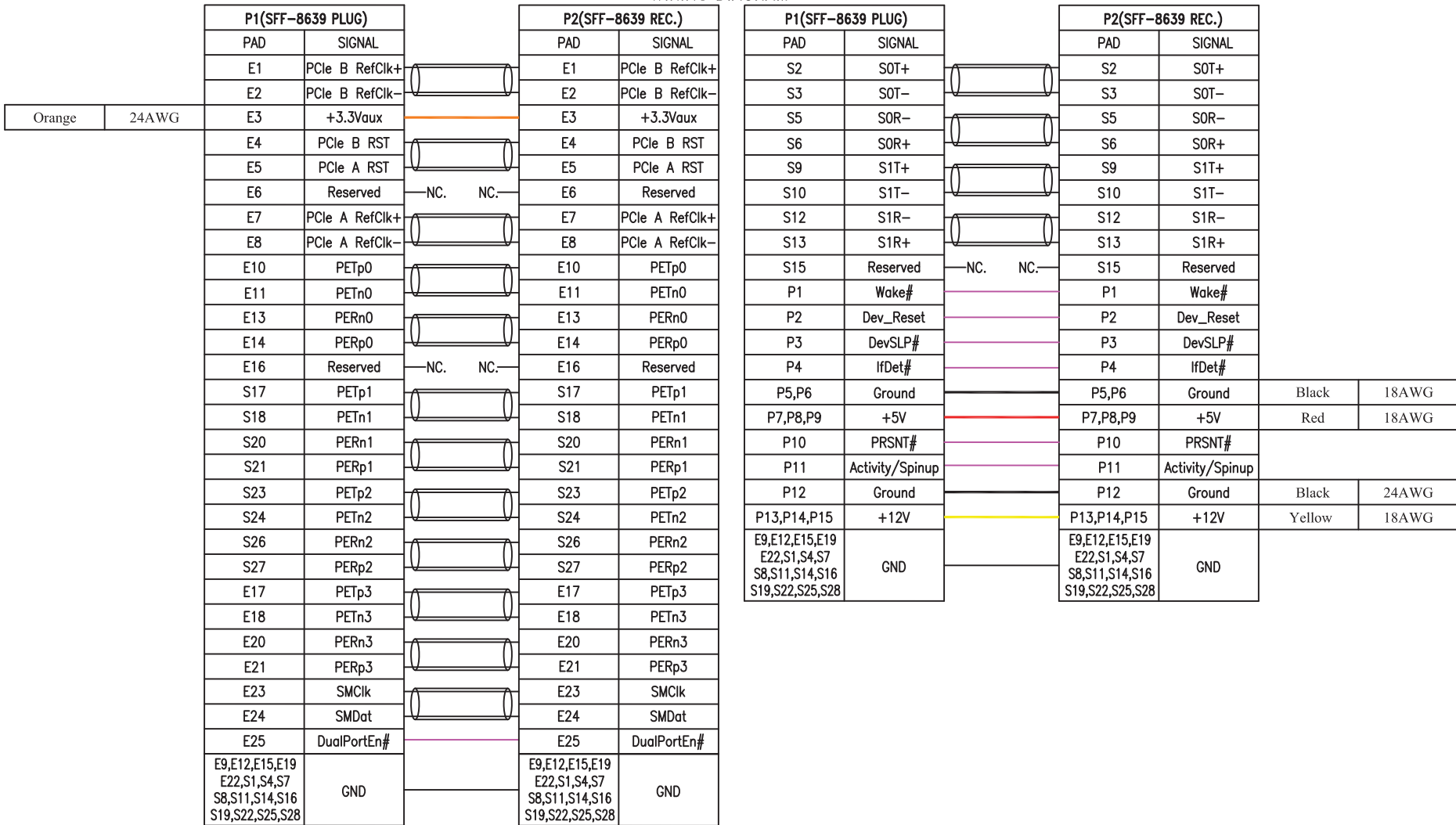
(1) UL 1007 18AWG\*3 80°C 300V  
 (2) UL 1007 24AWG\*2 80°C 300V

**CS ELECTRONICS**

DESC.	SFF-8639 PLUG TO SFF-8639 REC. CABLE ASS'Y	APPROVED	CHECKED	DESIGNED	TOLERANCE	SCALE	*	UNIT	mm	
P/N	PCle-8639M-F/.5M					DATE	12/13/'17	DWG NO:		

REV.	REMARK	DATE	SIGN.
------	--------	------	-------

**WIRING DIAGRAM**



**CS ELECTRONICS**

DESC.	SFF-8639 PLUG TO SFF-8639 REC. CABLE ASS'Y	APPROVED	CHECKED	DESIGNED	TOLERANCE	SCALE	*	UNIT	mm	
P/N	PCle-8639M-F/1.5M					DATE	12/13/'17	DWG NO:		