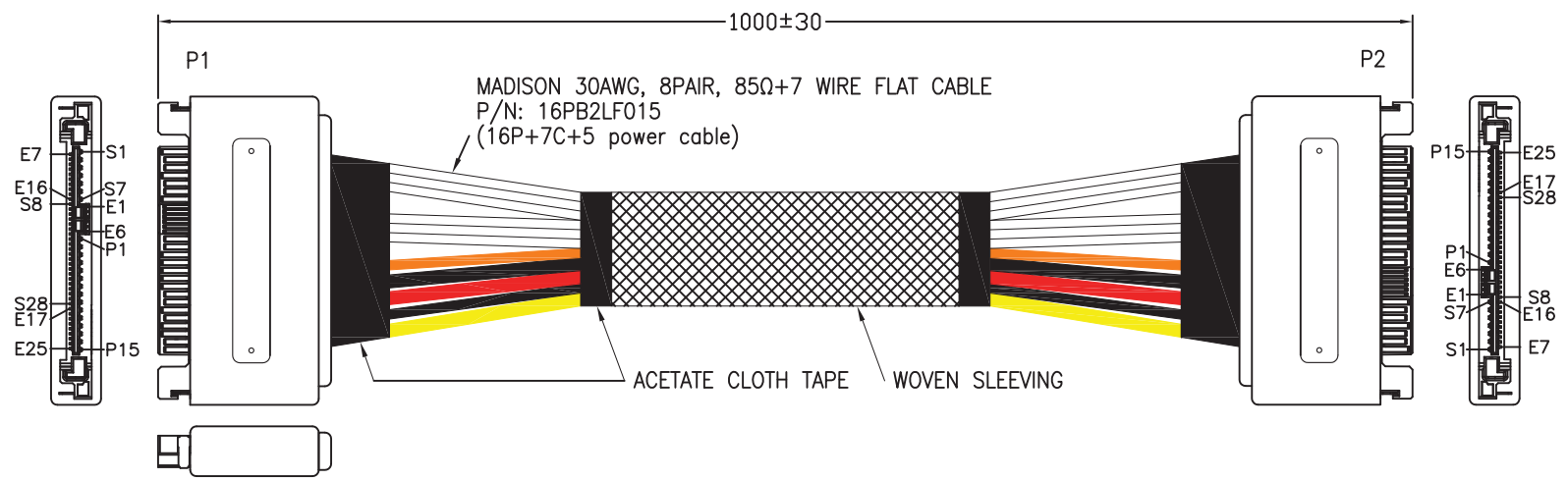


1	2	3	4	5	6	7	8	9	
REV.	REMARK				DATE	SIGN.			

RoHS



MATERIAL RoHS COMPLIANT:

1.CABLE: MADISON 30AWG, 8PAIR, 85Ω
 CONDUCTOR: 30AWG SOLID SILVER PLATED COPPER.
 INSULATION: FOAM POLYOLEFIN.
 PAIR: 2 SINGLES LAID FLAT AND PARALLEL.
 PAIR DRAIN WIRE: 30AWG SOLID TIN PLATED COPPER.
 PAIR SHIELD: ALUMINUM/POLYESTER TAPE,
 ALUMINUM SIDE FACING IN, 25% OVERLAP.
 PAIR JACKET: POLYESTER TAPE.
 PAIR IDENTIFICATION: PAIRS SEQUENTIALLY NUMBERED
 ON ENTIRE LENGTH OF PAIR
 DIFFERENTIAL IMPEDANCE: 85±5 Ohms @TDR

2.CONNECTOR:
 P1,P2: SFF-8639 68P PLUG CONNECTOR
 (1) P.C.B: 4 LAYERS, GOLD PLATING ON CONTACT PADS
 (2) HOUSING: PVC, BLACK.
 (3) WITHOUT EARS AND SCREWS.
 3.POWER CABLE:
 (1) UL 1007 18AWG*3 80°C 300V
 (2) UL 1007 24AWG*2 80°C 300V

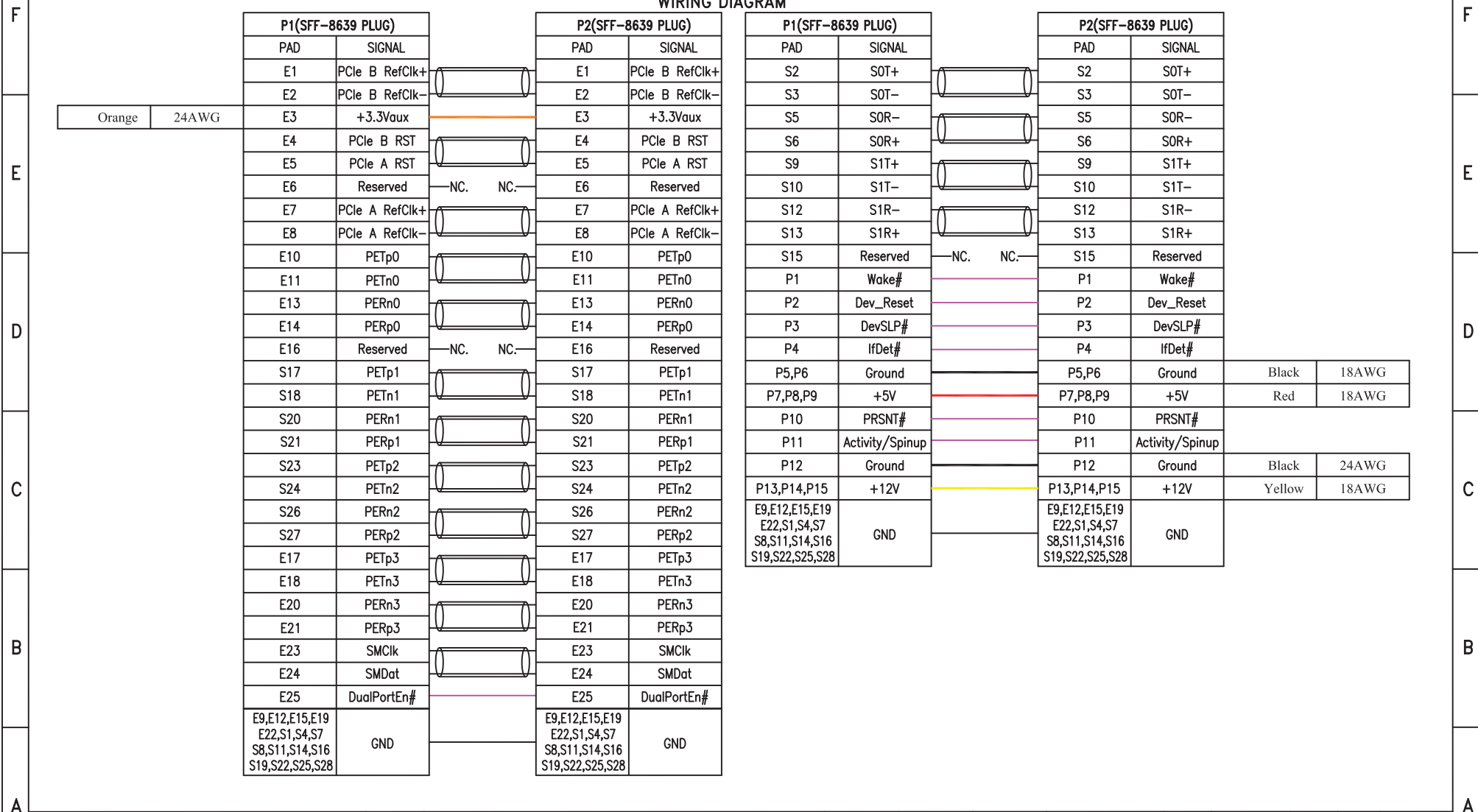
CS ELECTRONICS

DESC.	SFF-8639 PLUG TO SFF-8639 PLUG CABLE ASS'Y	APPROVED	CHECKED	DESIGNED	TOLERANCE	SCALE	*	UNIT	mm	
P/N	PCle-8639M-M/1m					DATE	05/21/'18	DWG NO:		

1	2	3	4	5	6	7	8	9
---	---	---	---	---	---	---	---	---

REV.	REMARK	1	2	3	4	5	6	7	8	9
							DATE	SIGN.		

WIRING DIAGRAM



CS ELECTRONICS	DESC.	SFF-8639 PLUG TO SFF-8639 PLUG CABLE ASS'Y	APPROVED	CHECKED	DESIGNED	TOLERANCE	SCALE	*	UNIT	mm	
	P/N	PCIe-8639M-M/1m					DATE	05/21/'18	DWG NO:		