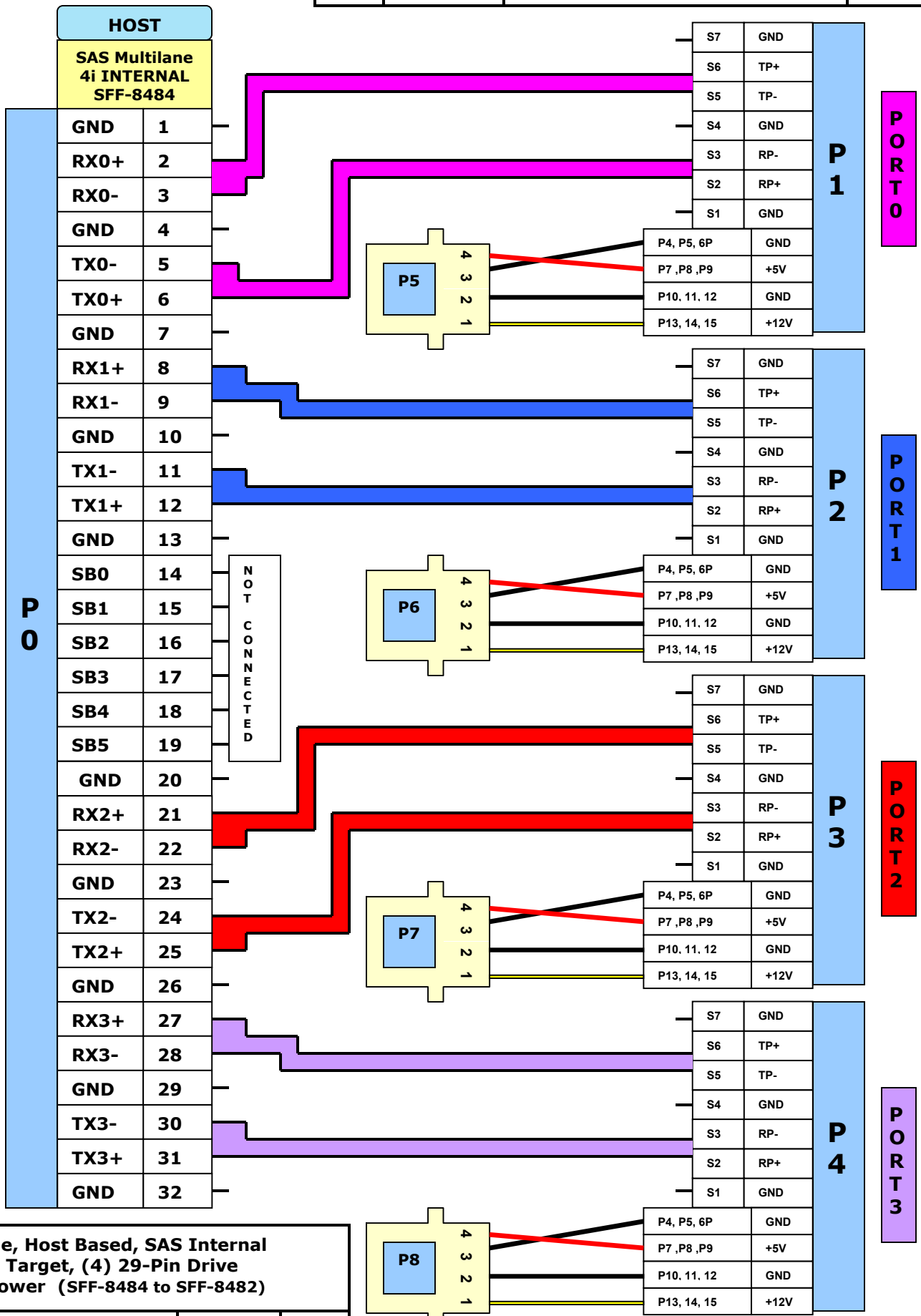


REV	Date:	Revision	ECO
A	11/09/06	Released	N/A



Description: Cable, Host Based, SAS Internal Multilane 4i TO Target, (4) 29-Pin Drive Connector W/Power (SFF-8484 to SFF-8482)

Drawing No. SAS -8482-F/xm	Sheet 2 of 2	Rev. A
--------------------------------------	-----------------	-----------