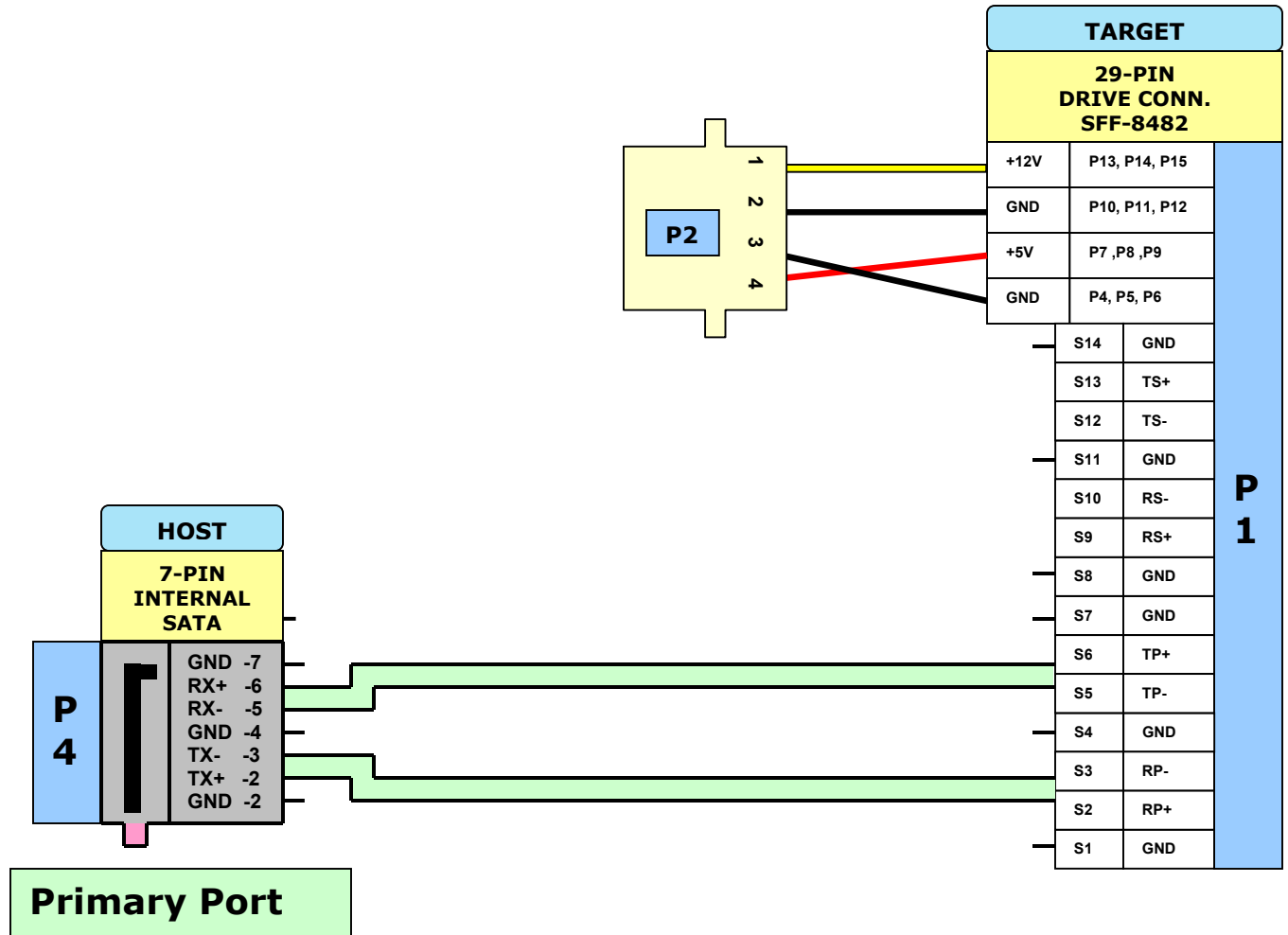



REV	Date:	Revision	ECO
A	11/10/06	Released	N/A



**Notes:**

1. Primary Port Only

	<b>Description: Cable, Host Based, (1) 7-Pin SATA TO Target, 29-Pin Drive Conn. W/Power (SATA to SFF-8482)</b>		
	.xx=±0.13mm .x =± 0.25mm	<b>Drawing No.</b> <b>SAS-7P82-1/xm</b>	<b>Sheet No.</b> 2 of 2