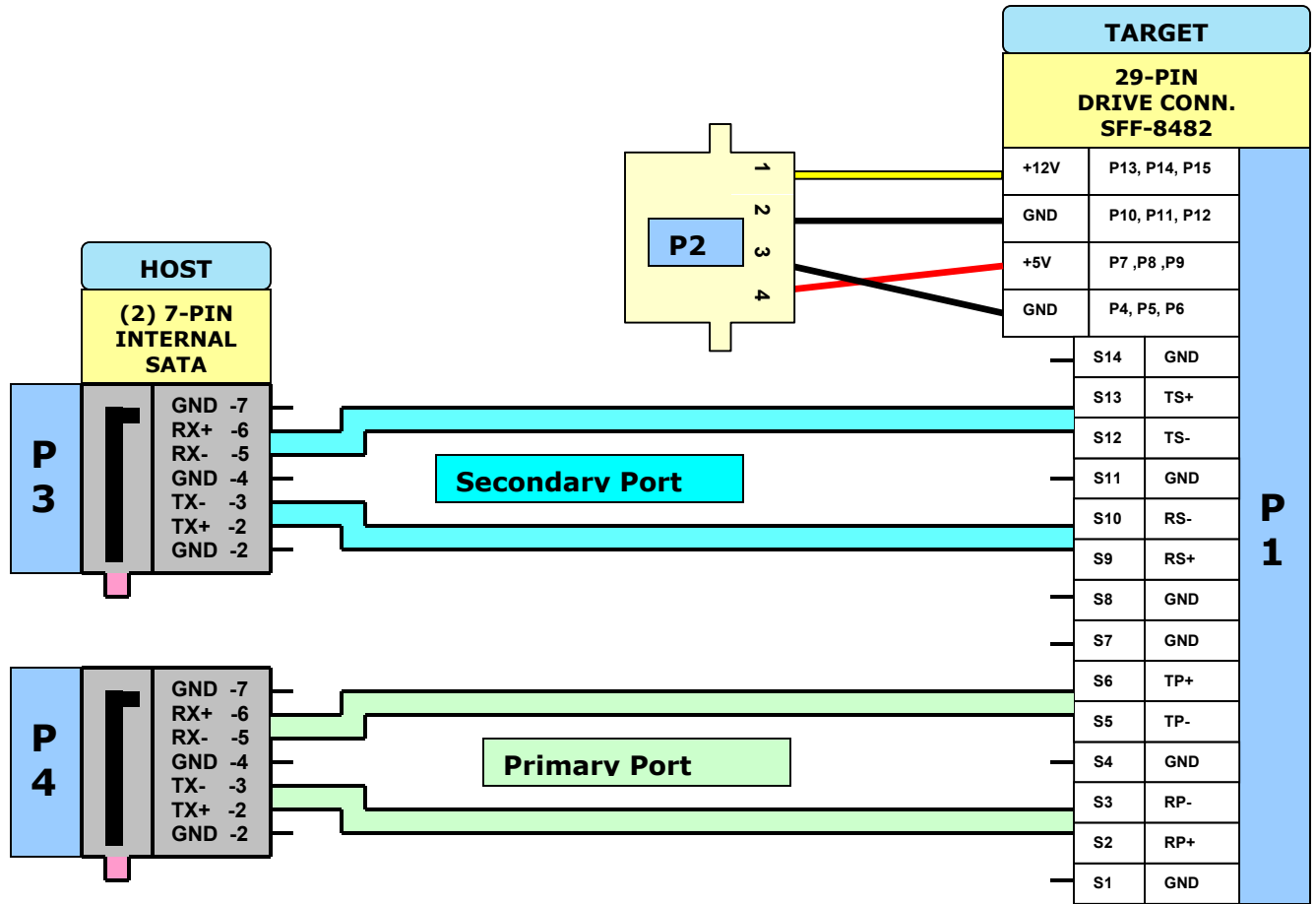


REV	Date:	Revision	ECO
A	11/10/06	Released	N/A



Notes:

1. Primary and Secondary Ports
2. Secondary Port is used for Redundant Host applications only.



Description: Cable, Host Based, (2) 7-Pin SATA TO Target, 29-Pin Drive Conn. W/Power (SATA to SFF-8482)
For redundant host applications only

.xx=±0.13mm
.x =± 0.25mm

Drawing No.
SAS-7P82-2/xm

Sheet No.
2 of 2

Rev.
A