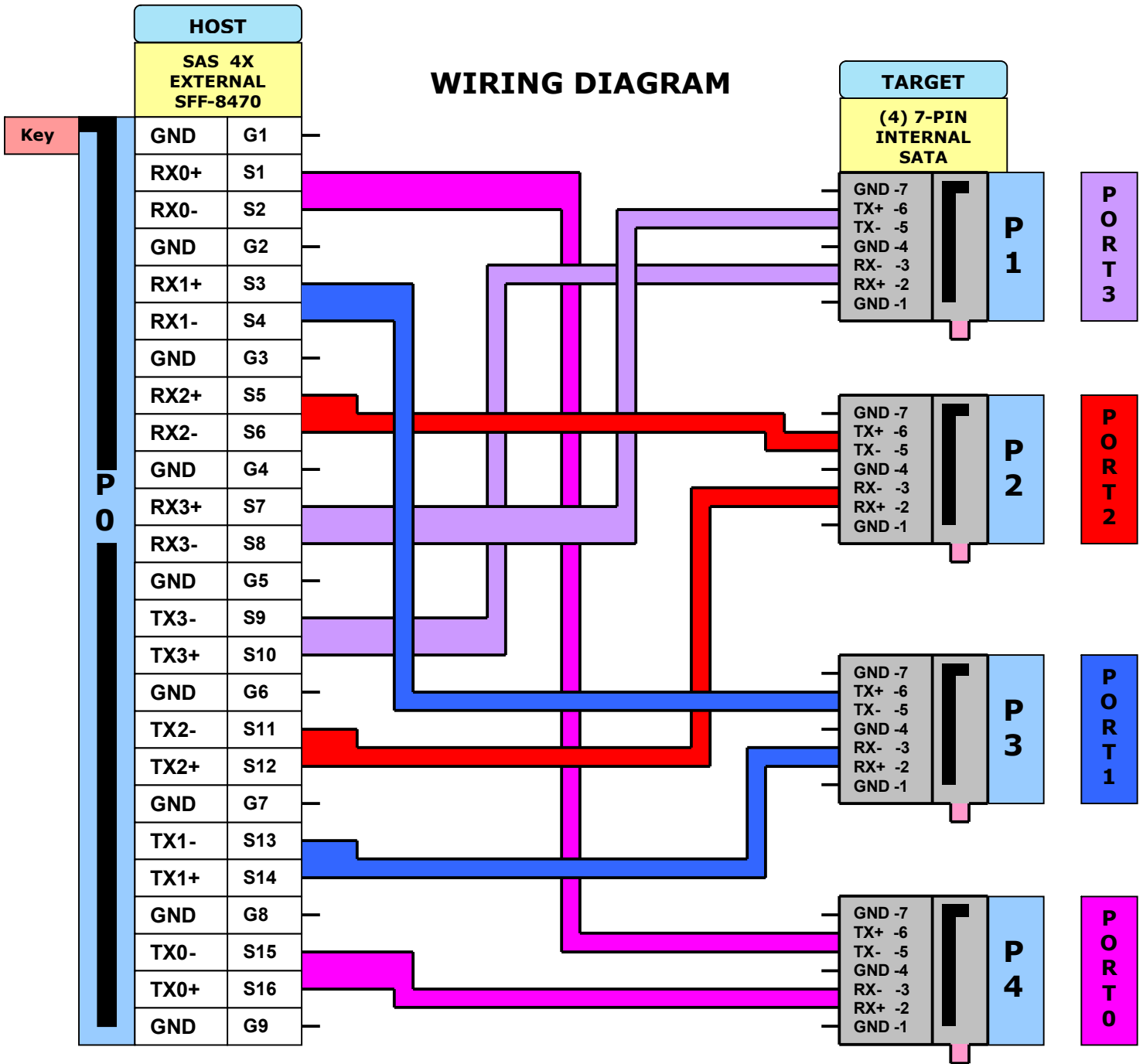



REV	Date:	Revision	ECO
A	11/07/06	Released	N/A

WIRING DIAGRAM



Notes:

	Description: Cable, Host Based SAS External 4X, TO Target Based (4) 7-Pin SATA (SFF-8470 to SATA)		
	.xx=±0.13mm .x =± 0.25mm	Drawing No. SAS -707P/xm	Sheet No. 2 of 2