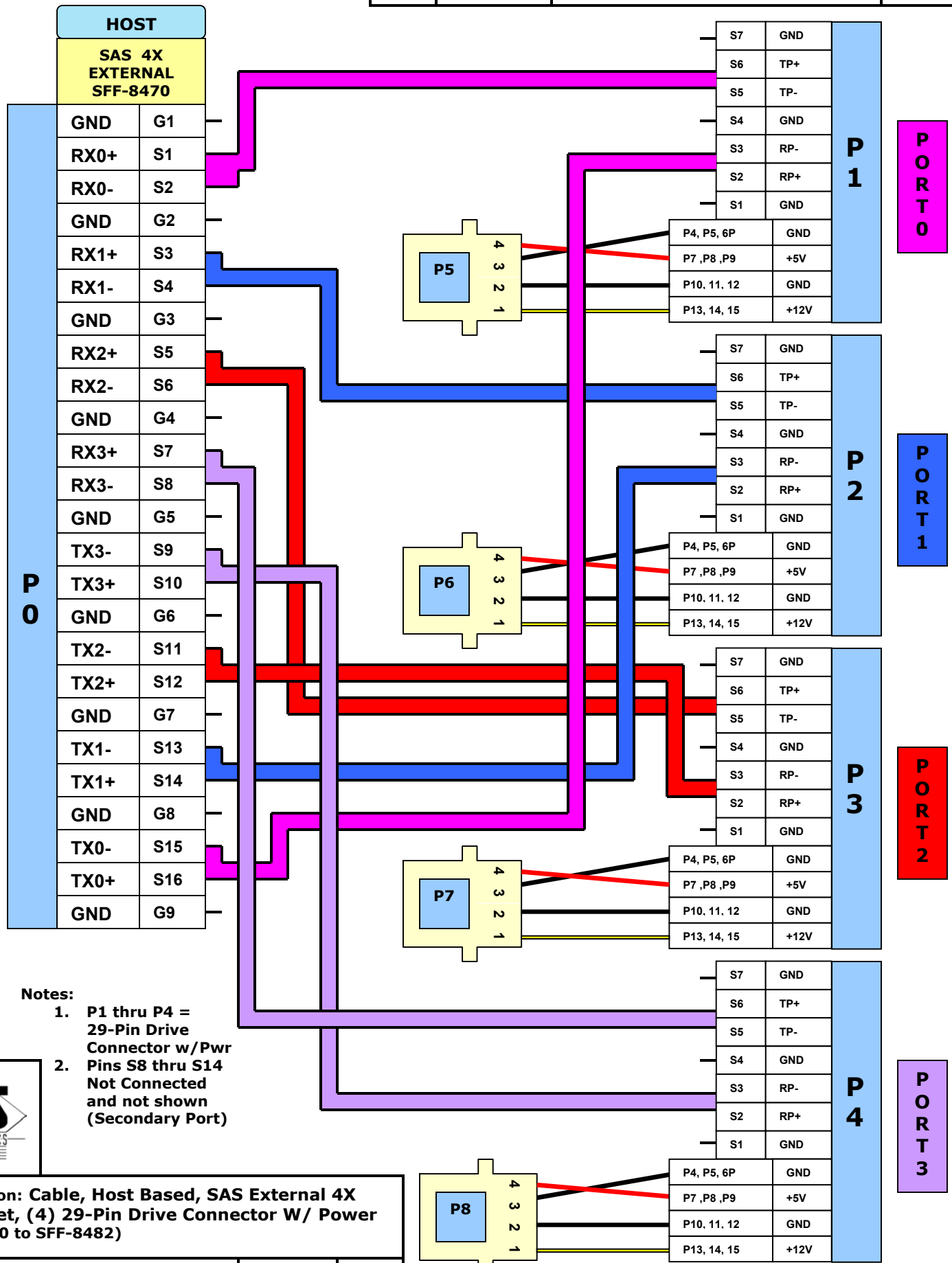


REV	Date:	Revision	ECO
A	11/09/06	Released	N/A



Notes:

1. P1 thru P4 = 29-Pin Drive Connector w/Pwr Pins S8 thru S14 Not Connected and not shown (Secondary Port)



Description: Cable, Host Based, SAS External 4X TO Target, (4) 29-Pin Drive Connector W/ Power (SFF-8470 to SFF-8482)

Drawing No. SAS 7082/xm

Sheet 2 of 2

Rev. A